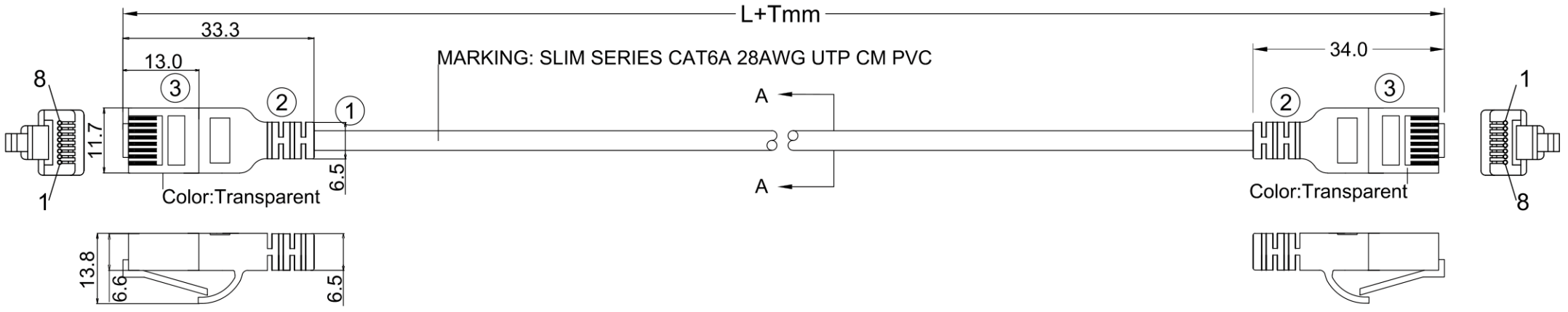


NOTE: ALL MATERIAL COMPLIANT ROHS STANDARD

REVISION INFORMATION			
Rec.	Rec. Date	Modified By	Brief Description

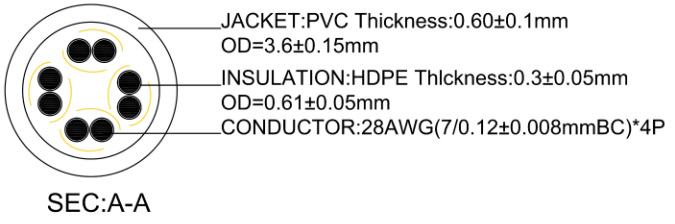


Cable Part No. Color Guide *Replace "XX" in the Part No. to the respective color code (e.x. CM-100250GNBSTK for a Green cable)

White = WT	Gray = GY	Black = BK	Blue = BL	Green = GN
Purple = PU	Yellow = YW	Orange = OR	Red = RD	

Cable Part No. Length Guide

0.5ft. CM-100250XXBSTK	7ft. CM-100258XXBSTK
0.75ft. CM-100270XXBSTK	10ft. CM-100261XXBSTK
1ft. CM-100251XXBSTK	15ft. CM-100263XXBSTK
1.5ft. CM-100252XXBSTK	20ft. CM-100264XXBSTK
2ft. CM-100253XXBSTK	30ft. CM-100265XXBSTK
3ft. CM-100254XXBSTK	50ft. CM-100267XXBSTK
5ft. CM-100256XXBSTK	



orange 1	green 2
white/orange	white/orange
blue 3	brown 4
white/blue	white/brown

PINOUT		
P1	WIRE	P2
1	WHITE/ORANGE	1
2	ORANGE	2
3	WHITE/GREEN	3
6	GREEN	6
5	WHITE/BLUE	5
4	BLUE	4
7	WHITE/BROWN	7
8	BROWN	8

L(ft)	T(inch)	T(%)	L(ft)	T(inch)	T(%)
0.5	±1.2	20%	12	±2	1.39%
1	±1.2	10%	15	±3.15	1.75%
1.5	±1.2	6.6%	20	±4	1.67%
2	±1.2	5%	25	±4	1.33%
3	±1.2	3.33%	30	±6	1.67%
4	±1.2	2.5%	40	±6	1.25%
5	±1.2	2%	50	±6	1.0%
6	±1.2	1.67%	60	±6	1.0%
7	±2	2.38%	70	±6	0.67%
8	±2	2.08%	80	±6	0.59%
9	±2	1.85%	90	±6	0.5%
10	±2	1.67%	100	±6	0.5%



③	RJ45 PLUG	8P8C 50U" GOLD PLATED TWO-PIECE PLUG.		
②	MOLDED	PVC SHORT MOLDED BOOT		
①	CABLE	CAT6A UTP 4P/28AWG(7/0.12±0.008MM BC) OD=3.6±0.15mm		
NO.	PART NAME	SPECIFICATION DESCRIPTION	QTY	UNIT

Drawn By:	Date: 10 / 6 / 2025	Description: Cat.6A Slim Cables 28AWG
Checked By:	Sheet 1 of 1	Model No. CM-1002XXXXBSTK
Approved By:	Scale 1:1	Rev. 01 Unit: mm